



Lasertack New Laser Generation

MxL-FN-xxx-AOM

HIGH FREQUENCY MODULATED ALL-SOLID-STATE LASER

The modulation frequency of high frequency modulation laser system is up to 1MHz. It can be used in the field like laser graphic processing, laser digital communications, etc. It have the feature of high extinction ratio, coding easily, usability, etc

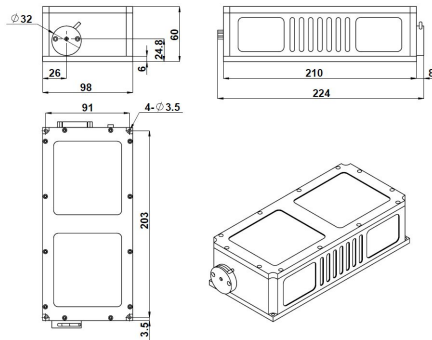


SPECIFICATIONS

Wavelength (nm)	473 ± 1	532 ± 1	556 ± 1	561 ± 1	671 ± 1
Output power (mW)	>50,60,...,150	>150,200,...,400	>1,10,20,...,100	>1,10,20,...,100	>100,150,...,300
Power Stability (rms,over 4 hours)	<1%,<3%,<5%				
Transverse mode	Near TEM ₀₀				
M ² factor	<1.5				
Beam Diameter at the aperture 1/e ² (mm)	~3.0				
Beam divergence, full angle (mrad)	<1.5				
Polarization ratio	> 100:1				
Warm-up Time (minutes)	<10				
Pointing stability after warm-up (mrad)	<0.05				
Beam height from base plate (mm)	24.8				
Operating temperature(°C)	10~35				
Power supply (90-264VAC)	PSU-H-FDA-AOM				
Modulation	>1MHz				
Expected lifetime (hours)	10000				
Warranty	1 year				

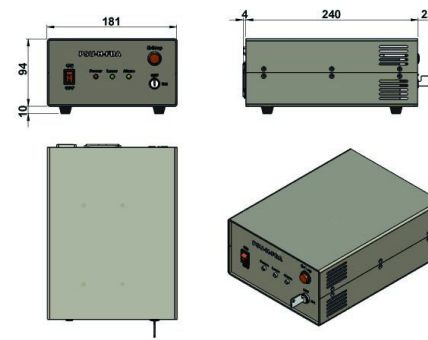


MxL-FN-xxx-AOM



224(L)×98(W)×60(H) mm³,1.9kg

PSU-H-FDA-AOM



269 (L) ×181(W) ×104(H) mm³, 2.7 kg